



# Chic tables

RH20

The perfect addition to the Chic, Chic Air and Chic Lounge seating collections. The tables designed by Christophe Pillet are characterized by subtle lines and minimalist form. A wide range of countertop finishes allows for many design options in cafés, restaurants or hotel lobbies.

## Collection features:

---

- A wide range of options for the tabletop finish: ceramics, glass, wooden, metal
- several heights and types of bases offer many arrangement variants
- possibility to use transparent feet in coffee tables

## Technical specifications:

---

### product version RH20

medium table, round Ø 800 mm, h = 740 mm, 4-legged

### frame

metal frame with cross section fi 18 mm.

Versions:

- MetallicPro
- Chrome
- Black / RAL 9005
- White / RAL 9016
- Light Grey
- Grey
- Deep Green / RAL 6004
- Navy Blue / RAL 5003
- Burgundy / RAL 3005
- Salvia/Green / RAL 6021
- Blue / RAL 5014
- Terracota / RAL 3012
- Gold

### table top

glass - thickness 10 mm

Colours of glass table tops:

G1 (milky glass), G2 (black), G3 (RAL 7044/taupe), G4 (RAL 7042/grey)

Natural modified veneer - thickness 12 mm

Colors of the countertops in natural veneers

- NA (ash),
- NB (beech),
- NO (oak),
- NW (walnut)

Colors of countertops in natural colored veneers (ash)

- CNA01 (white),
- CNA02 (black),
- CNA05 (dark green),
- CNA06 (navy blue),
- CNA07 (burgundy)

Option of mixing any colours of table top and frame.

### **glides**

- standard - teflon glides
- option - felt glides - for hard floors

### **net weight**

Table top glass:

19,5 kg

Table top HM:

11,5 kg

frame:

7,0 kg

### **gross weight**

Table top glass:

24,5 kg

Table top HM:

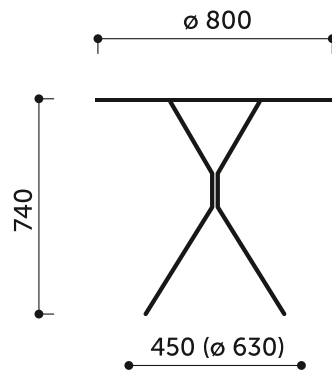
16,5 kg

frame:

8,5 kg

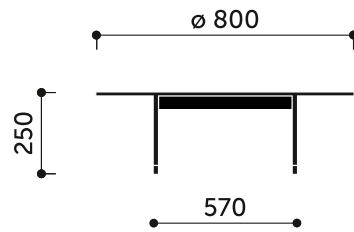
## **Product dimensions:**

---

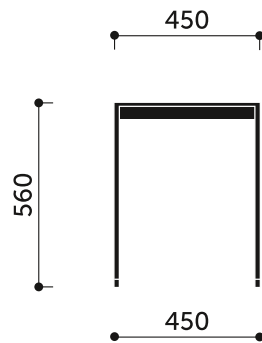


RH20

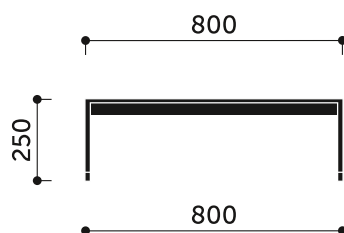
**Dimensions of other models in the collection:**



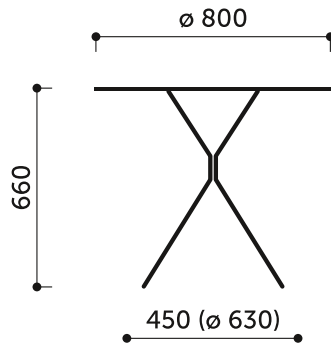
CR40



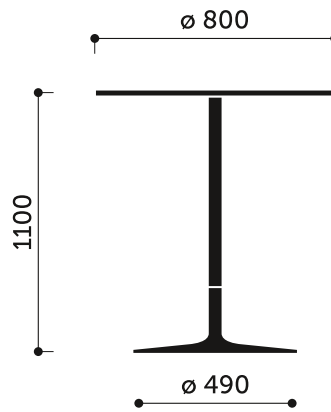
CS30



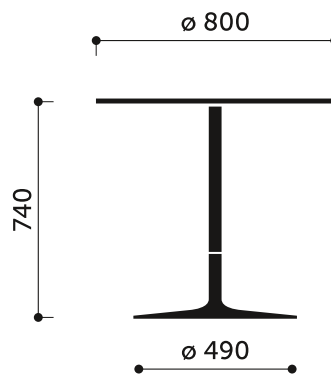
CS40



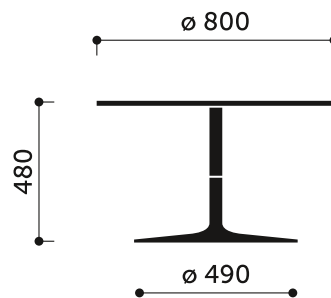
RH30



RR10



RR20



RR40