



Tables

SH/SR/SV/SW

SV40

This is a collection of versatile coffee tables created to complement the Fan and Sorriso armchair collections. Thanks to the possibility of customizing the colours of the bases and the height and material of the tops, it is ideal for cafés, restaurants and hotels.

Collection features:

- the SR model comes in four heights, in three colour variations of the base on a circular form
- SH model comes in three heights, four frame colours and a round top made of tempered milk glass
- SF model comes in two heights on a four-star polished aluminium base
- SV model is available on a metal wire frame with four colour variations and the SW model on wooden legs

Technical specifications:

product version

SV40 - table, round, Ø 600, h = 450 mm, wire frame

frame

metal wire with cross section fi 11 mm.

Variants:

- MetallicPro
- Chrome
- Black / RAL 9005
- White / RAL 9016
- Light Grey / NCS S 2500 N
- Grey / NCS S 6500 N
- Deep Green / RAL 6004
- Navy Blue / RAL 5003
- Burgundy / RAL 3005
- Salvia/Green / RAL 6021
- Blue / RAL 5014
- Terracota / RAL 3012
- Gold

table top

Table top made of tempered glass milk (G1), thickness 10 mm and diameter 600 mm.

glides

- standard - teflon glides - universal (set)
- option - felt glides - for hard floors (set)

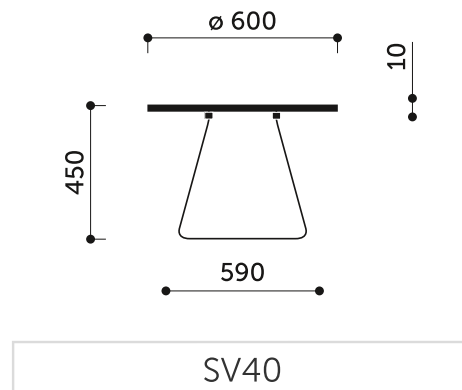
net weight

9,5 kg

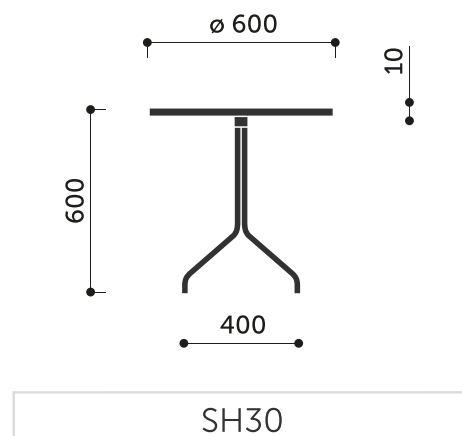
gross weight

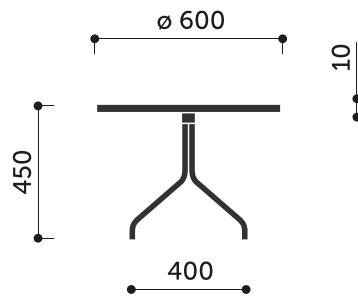
12,5 kg

Product dimensions:

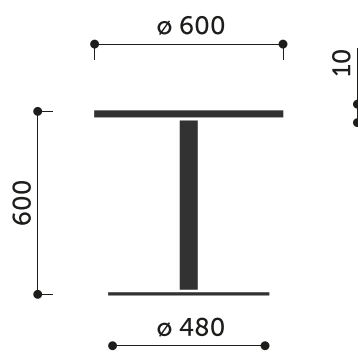


Dimensions of other models in the collection:

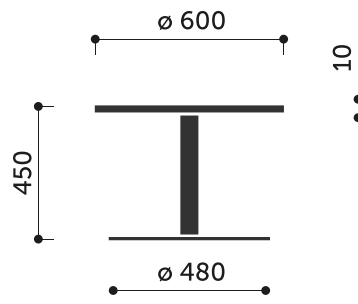




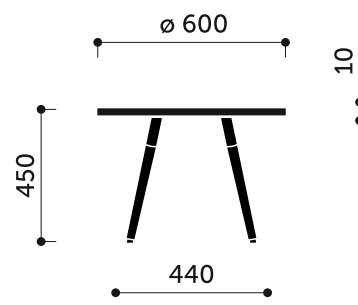
SH40



SR30



SR40



SW40