



Tables

SH/SR/SV/SW

SH30

This is a collection of versatile coffee tables created to complement the Fan and Sorriso armchair collections. Thanks to the possibility of customizing the colours of the bases and the height and material of the tops, it is ideal for cafés, restaurants and hotels.

Collection features:

- the SR model comes in four heights, in three colour variations of the base on a circular form
- SH model comes in three heights, four frame colours and a round top made of tempered milk glass
- SF model comes in two heights on a four-star polished aluminium base
- SV model is available on a metal wire frame with four colour variations and the SW model on wooden legs

Spécifications techniques:

product version:

SH30 - medium table, round, Ø 600, h = 600 mm, metal legs

frame

Versions SH - metal tube fi 20 mm.

Variants:

- MetallicPro
- Chrome
- Black / RAL 9005
- White / RAL 9016
- Light Grey / NCS S 2500 N
- Grey / NCS S 6500 N
- Deep Green / RAL 6004
- Navy Blue / RAL 5003
- Burgundy / RAL 3005
- Salvia/Green / RAL 6021
- Blue / RAL 5014
- Terracota / RAL 3012
- Gold

table top

Table top made of tempered glass milk (G1), thickness 10 mm and diameter 600 mm.

Option – table top made of chipboard with HPL-finishing (LW):

- LW01 (white RAL 9016),
- LW03 (Light Grey NCS S 2500–N),
- LW04 (Grey - RAL 7037),
- LW02 (black RAL 9011),
- LW06 (navy blue RAL 5003),
- LW07 (light burgundy RAL 3004)

glides

standard - teflon glides

option - felt glides - for hard floors (set)

net weight

10,5 kg

gross weight

12,5 kg

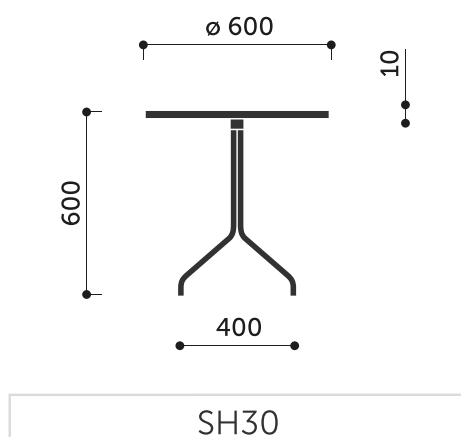
additional

There is possibility of buying the table frame for assembly of different table tops. In that case frame is equipped with adapter assembled to frame tube, made of metal plate with dimensions: 245 x 245 x 4 mm. Frame is dedicated for assembly table tops made only from chipboard, plywood or wood.

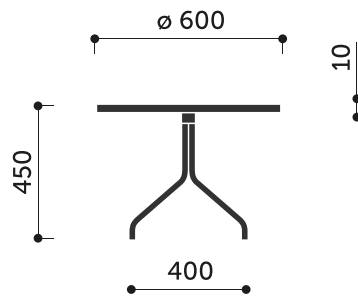
Self-assembly of glass table tops is not recommended by the producer.

In case of self-assembly maximum parameters of the table top to keep stability are: diameter 600 mm, weight 7,0 kg (stability issue)

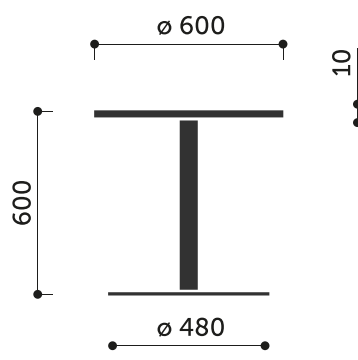
Product dimensions:



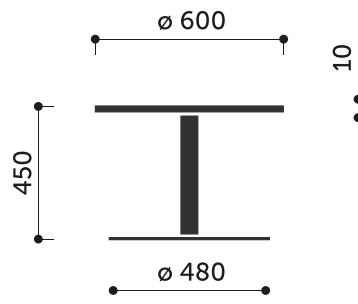
Dimensions of other models in the collection:



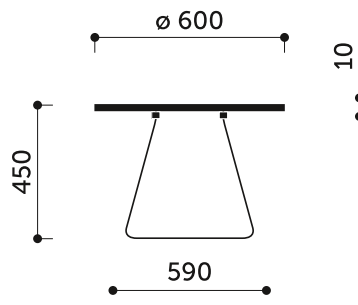
SH40



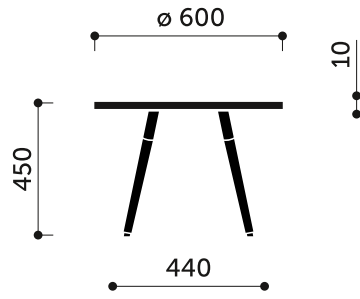
SR30



SR40



SV40



SW40