



Nu

20HS

Ideal for spaces that require compact solutions. It will prove useful both in offices and hotel lobbies. The Nu model, designed by Paul Brooks, is an armchair with the right proportions and an organic shape that adds elegance to the interior. It was made of the best quality materials.

Collection features:

- the inner and outer sections of the shell may have different coloured fabrics
- the shell is mounted on several types of bases
- the cushion will increase the comfort of rest
- Möbelfakta certificate - a guarantee of durability, safety, environmental care and social responsibility during the production process

Technical specifications:

product version

20HS - swivel armchair, small shell, four legs

frame

metal tube with cross section fi 20 mm.

Variants:

- MetallicPro
- Chrome
- Black / RAL 9005
- White / RAL 9016
- Light Grey / NCS S 2500 N
- Grey / NCS S 6500 N
- Deep Green / RAL 6004
- Navy Blue / RAL 5003
- Burgundy / RAL 3005
- Salvia/Green / RAL 6021
- Blue / RAL 5014
- Terracota / RAL 3012
- Gold

glides

- Teflon glides - universal (set)
- Felt glides - for hard floors (set)

shell

Metal frame; cold molded foam - density 85 kg/m³ - for shell and 70 kg/m³ - for cushion on the seat.

net weight

11,0 kg

gross weight

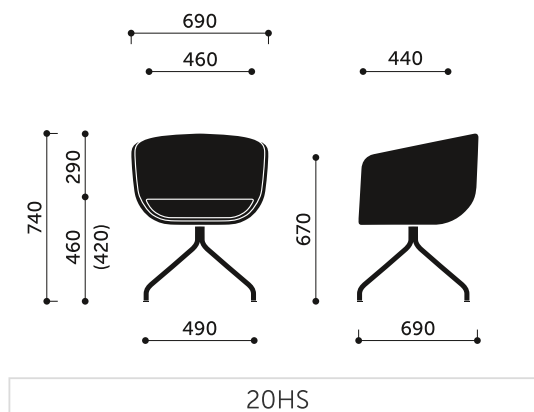
14,0 kg

additional information

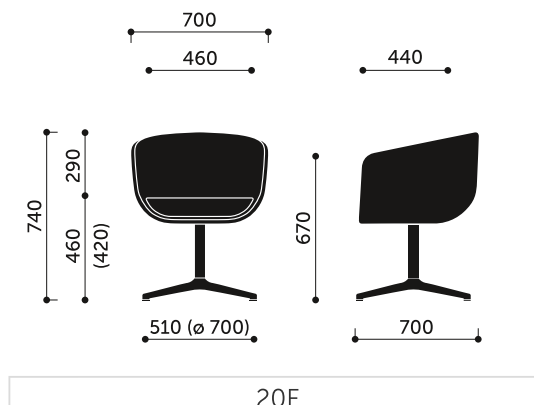
Option of mixing colours of the same fabric according to below scheme:

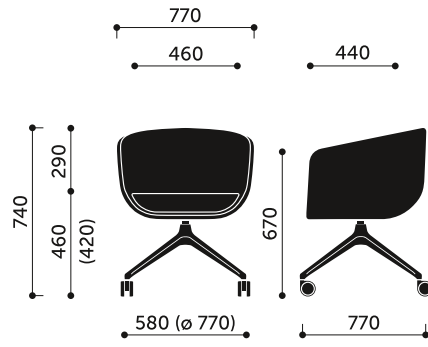
- A - cushion on the seat
- B - inner part of shell colour
- C - outer part of shell colour

Product dimensions:

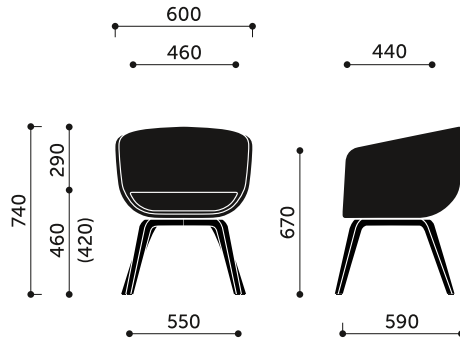


Dimensions of other models in the collection:

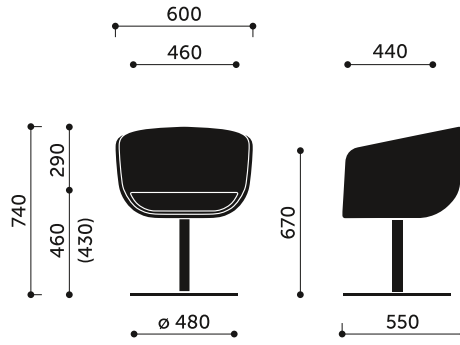




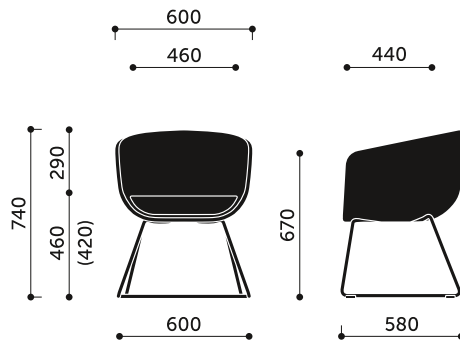
20HC



20HW



20R



20V3