



Fan

10E

There are pieces of furniture that do not age - constantly appreciated, with a timeless design that fits perfectly into any interior. Fan is an elegant, comfortable and at the same time very distinctive armchair - with a detail of a semi-circular seam. This is our most recognizable model on the market. Piotr Kuchciński designed it with both offices and home spaces in mind.

Collection features:

- several types of bases - glides and castors as well as wooden legs which perfectly match the SW40 and SAM tables
- additional cushion improves comfort of use
- the collection also includes a cantilever sofa
- thread options: matching the upholstery color or decorative in one of 16 Pantone colors
- Möbelfakta certificate - a guarantee of durability, safety, environmental care and social responsibility during the production process

Technical specifications:

product version

10E swivel armchair, Economic mechanism

mechanism

Economic - adjustment of seat height

base

Five-star aluminium base.

Variants:

- chrome (polished aluminium)
- black (plastic)
- metallic (powder coated)

castors

- standard - hard castors (for soft floors)
- option - soft castors (for hard floors)
- option - teflon glides (universal)

shell

Metal frame; cold molded foam - density 75 kg/m³. Black upholstery - white stitching, other colour of upholstery - black stitching.

Two options of threads:

- upholstery matching threads
- decorative threads in one of 16 Pantone colors

net weight

13,0 kg

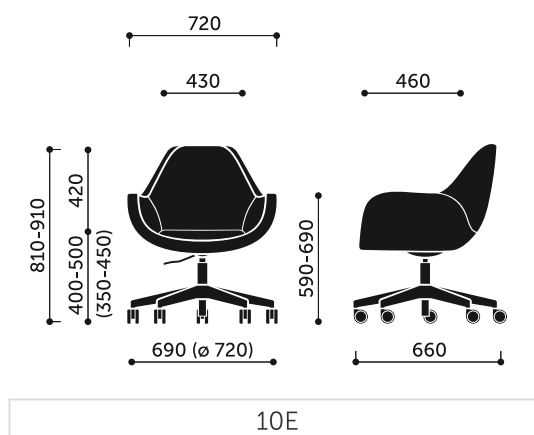
gross weight

17,5 kg

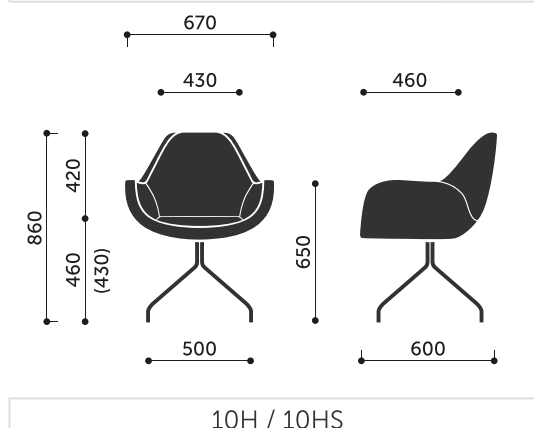
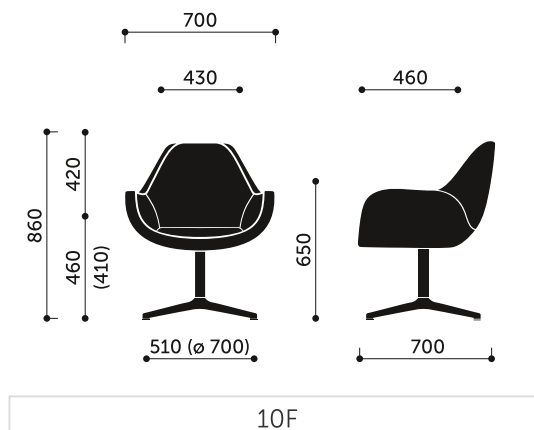
additional information

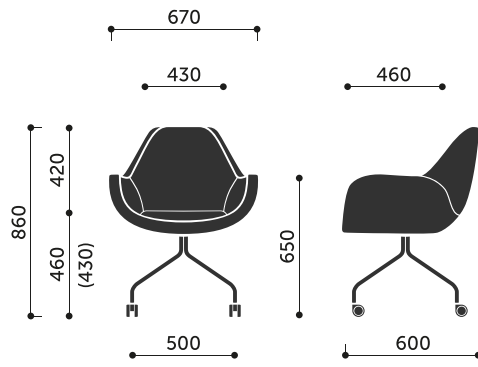
Seat cushion.

Product dimensions:

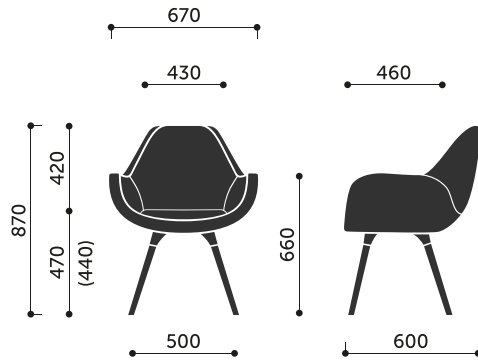


Dimensions of other models in the collection:

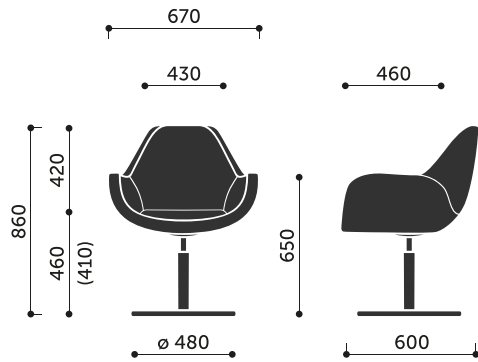




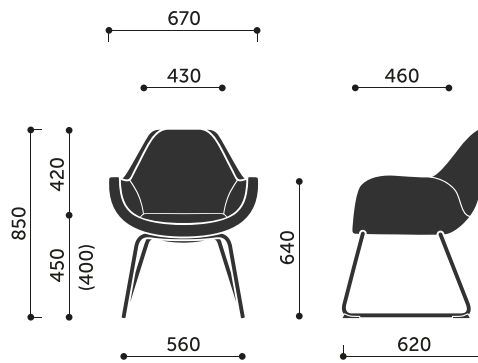
10HC



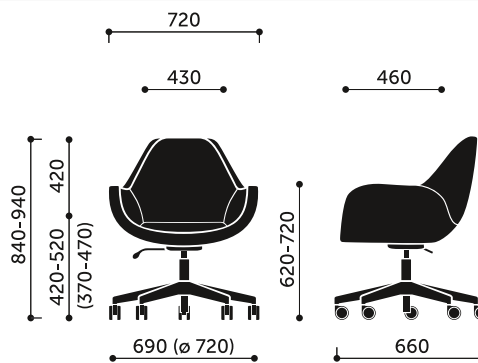
10HW



10R



10V



10Z

