



Ariz

575V

Extremely comfortable and lightweight conference and auditorium chair. Chairs can be joined in rows, which is useful, for example, in lecture halls. Regardless of the configuration, it's a model that will allow you to sit comfortably, provide space flexibility and safe use.

Collection features:

- wide configuration possibilities with several plastic colours and a wide range of upholstery fabrics
- plastic, upholstered, and mesh versions.
- version with comfortable armrest available
- possibility of high stacking (up to 45 pieces on a special trolley for chair transport)
- option to join in rows, mount writing top and newspaper basket
- Möbelfakta certificate - a guarantee of durability, safety, environmental care and social responsibility during the production process

Technical specifications:

product version 575V

upholstered seat and mesh backrest

frame

Metal wire with cross section fi 11 mm.

Variants

- MetallicPro
- Chrome
- Black / RAL 9005
- White / RAL 9016
- Light Grey
- Grey
- Deep Green / RAL 6004
- Navy Blue / RAL 5003
- Burgundy / RAL 3005
- Salvia/Green / RAL 6021
- Blue / RAL 5014

- Terracota / RAL 3012

table top

assembled on the left or right hand, available in chairs without armrests only, table top's frame colour is always chrome.

armrests

Metal, integral part of frame, finished with PP pads (color of PP pads corresponds to plastic's color).

glides

- standard - teflon glides (universal).
- option - felt glides (for hard floors),

seat

- upholstered
- cut foam - density 35 kg/m³
- underside of the seat: black plastic (black and chrome frame) and grey plastic (metallic frame)

backrest

mesh

net weight

- 575V - 6,5 kg
- 575V 2P - 8,0 kg

gross weight

- 575V - 10,5 kg
- 575V 2P - 12,0 kg

stacking

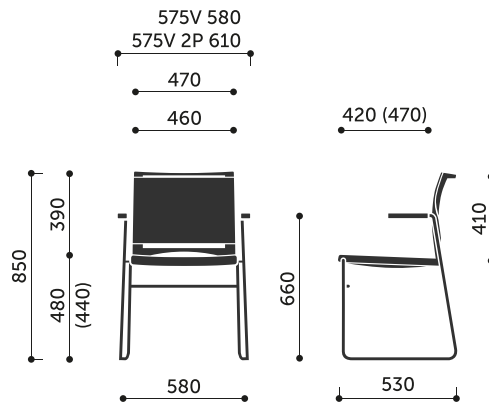
- 5/20* pcs. - 575V, 575V 2P

*Maximum quantity on the trolley for transportation.

additional

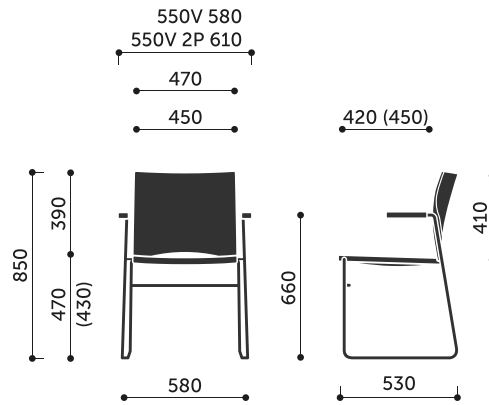
- joining in rows
- chairs' trolley (W)
- newspapers bin (K)

Product dimensions:

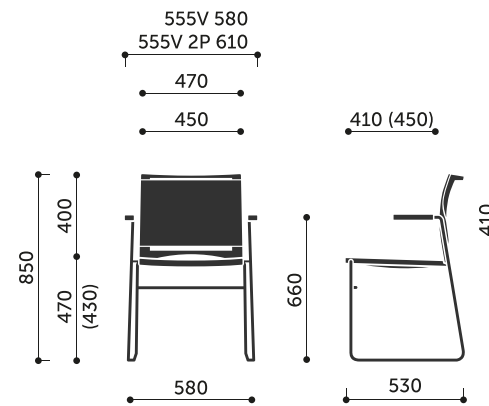


575V / 575V 2P

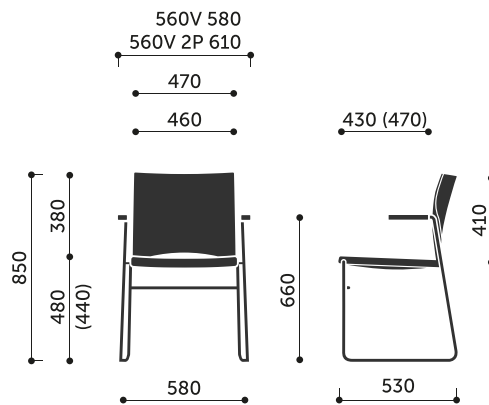
Dimensions of other models in the collection:



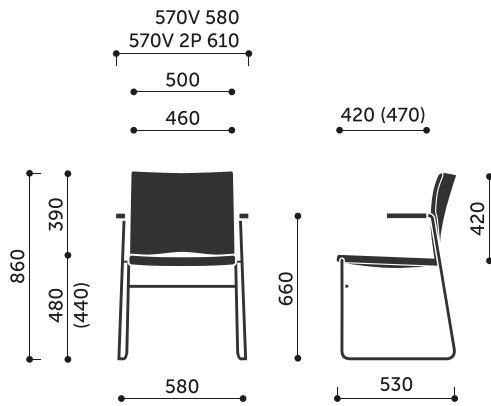
550V / 550V 2P



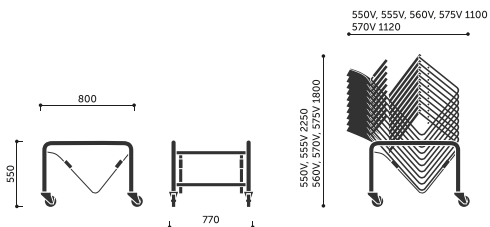
555V / 555V 2P



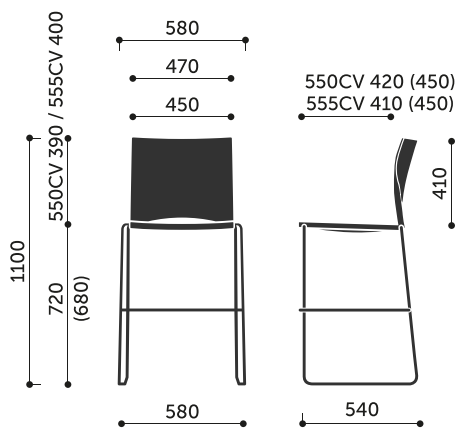
560V / 560V 2P



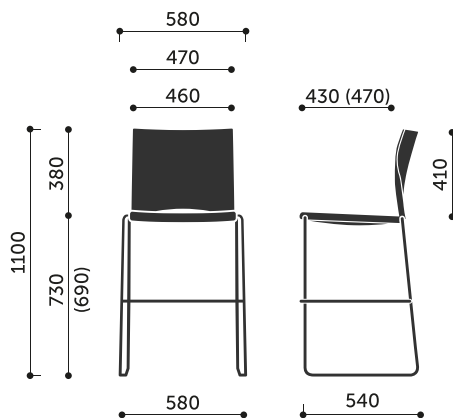
570V / 570V 2P



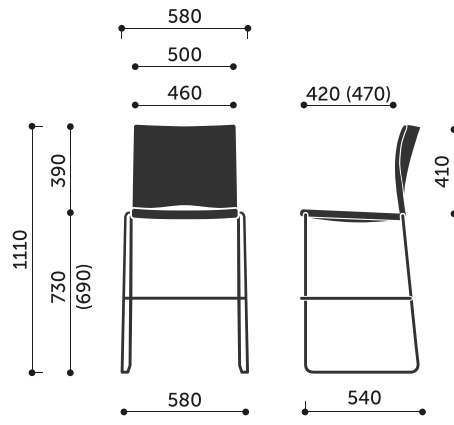
W



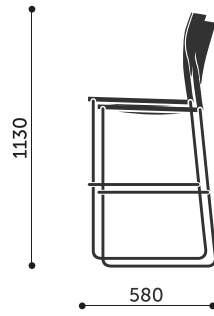
550CV / 555CV



560CV



570CV / 575CV



CV