



# Zoo

522

Paul Brooks designed the ZOO collection which features stylish comfort. It is perfect as a background for small business meetings or in conference or lecture rooms.

## Collection features:

---

- variety of configurations
- available in different versions: on four legs, legs with castors, with plastic or upholstered seat, plastic or upholstered backrest, with or without armrests
- available in three plastic colours (black, grey and light grey) and five frame colours

## Technical specifications:

---

### product version

522 - plastic seat and backrest

Frame versions

- H - four legs
- HC - four legs, castors
- 2P – armrests

### frame

Metal tube with cross section fi 22 mm.

Variants:

- MetallicPro
- Chrome
- Black / RAL 9005
- White / RAL 9016
- Light Grey / NCS S 2500 N
- Grey / NCS S 6500 N

### table top

Zoo model may occur with table top (2PB).

Table top is not available as a separate part, it is integrated with the frame.

Purchase as a separate element is not possible. Right hand table top available as a standard.

It's always black composite.

### **armrests**

Polyamide armrest PA.

It is possible to freely join the colours of seat, backrest and armrests

Although in one RAL/NCS, the colour of individual elements of the chair such as seat, backrest, armrests and frame, can vary due to different types of materials used.

### **castors/glides**

Version H:

- standard - Teflon glides - universal (set)
- option - Felt glides - for hard floors (set)

Castors in HC models:

- universal castors

### **seat**

- plastic

Seat cover:

- black frame - cover always black (RAL 9005)

- metallic , chrome, RAL frame - cover always grey (RAL 7005) except of chairs with black seat - in that case cover is always black (RAL 9005).

### **backrest**

- plastic

Plastic colours for backrest:

- - black (RAL 9005),
- - grey (NCS S 6500-N)\*,
- - lightgrey (NCS S 2500-N)\*.

It is possible to freely join the colours of seat, backrest and armrests.

In model Zoo 500 without armrests the plastic elements connecting the frame with backrest are:

- black frame - always black (RAL 9005)

- metallic, chrome - always grey (RAL 7005)

- RAL frame - RAL always in frame colour

In model Zoo 500 without armrests the plastic elements

connecting the frame with backrest are:

- black frame - always black (RAL 9005),

- metallic, chrome frame - always grey (NCS S 6500-N),

RAL frame - RAL always in frame colour

### **net weight**

- 522H - 7,0 kg
- 522HC - 7,5 kg
- 522H 2P - 8,0 kg
- 522HC 2P - 8,5 kg

### **gross weight**

- 522H - 11,0 kg

- 522HC - 11,5kg
- 522H 2P - 12,0 kg
- 522HC 2P - 12,5 kg

**stacking**

Maximum quantity in stack:

- 522H, 522H 2P - 10 psc.
- 522H 2PB - 5 psc.

Maximum quantity in stack on trolley:

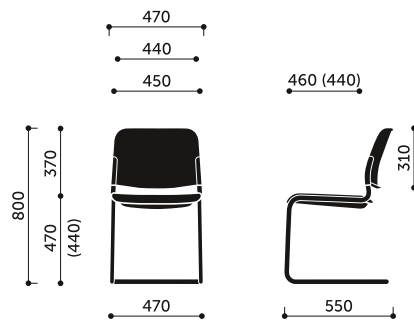
- 522H - 12 psc.
- 522H 2P - 10 psc.
- 522H 2PB - 5 psc.

**additional information**

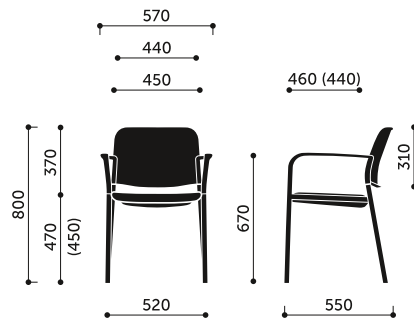
- Chairs numbering
- Rows numbering
- Joining in rows
- Joining of chairs and rows "Anti-panic" system
- Trolley for transportation

**Product dimensions:**

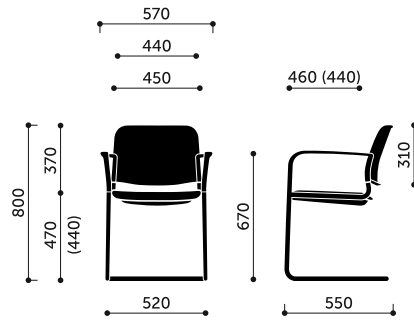
---



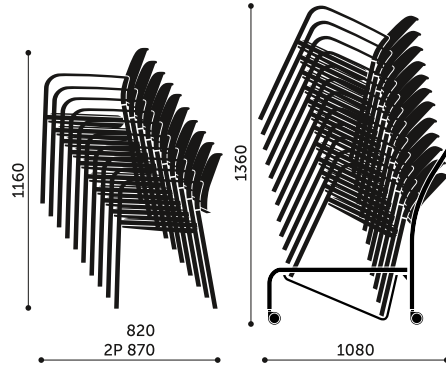
522 / 522V / 525VNV / 525VN



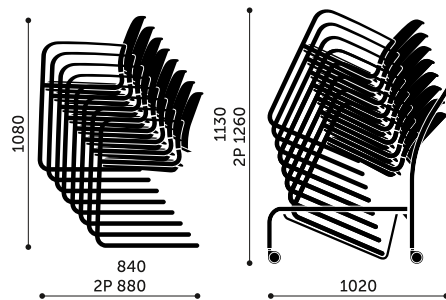
522H 2P / 522HC 2P / 525H 2P / 525HC 2P



522V 2P / 522VN 2P / 525V 2P / 525VN 2P

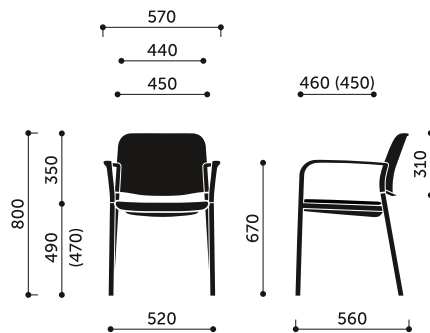


522H

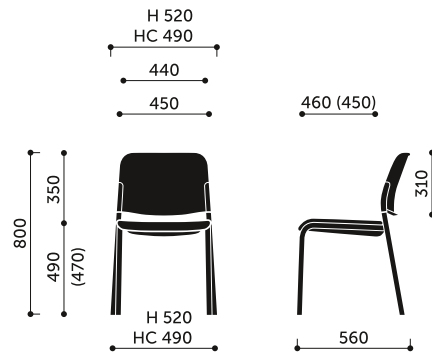


522V

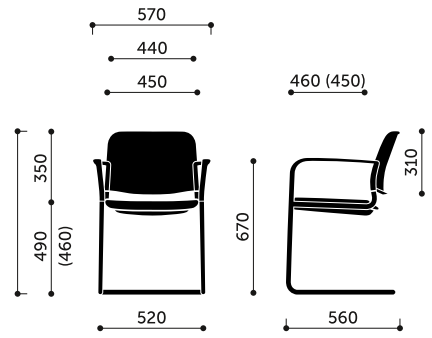
**Dimensions of other models in the collection:**



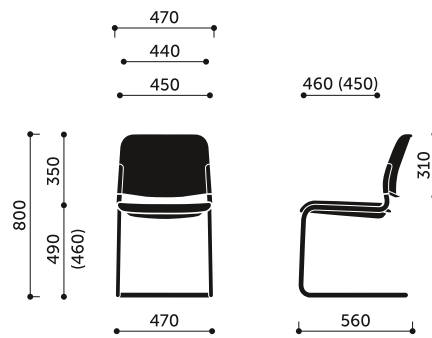
500H 2P / 500HC 2P



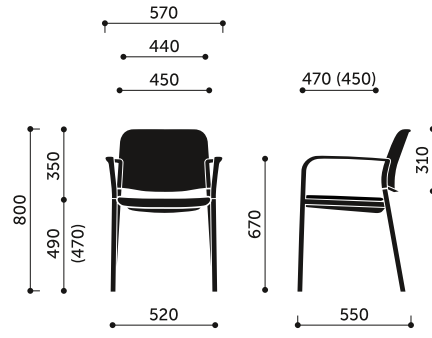
500H / 500HC



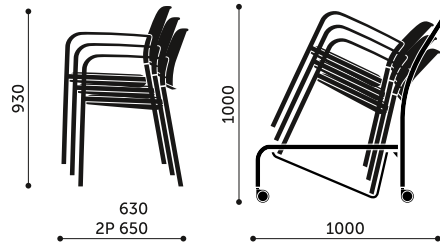
500V 2P / 500VN 2P



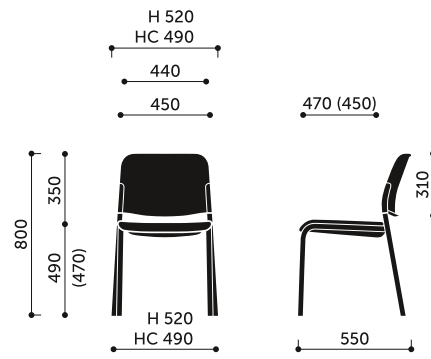
500V / 500VN



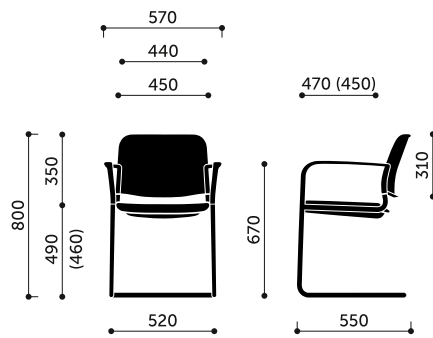
502H 2P / 502HC 2P / 505H 2P / 505HC 2P



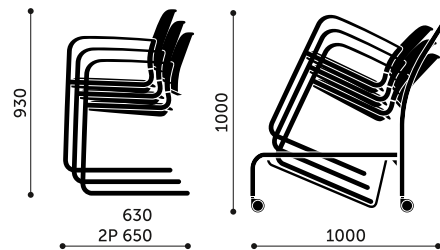
502H / 500H / 505H



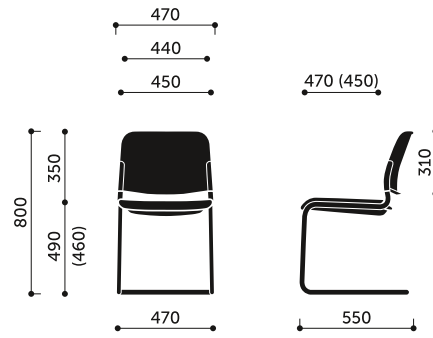
502H / 502HC / 505H / 505HC



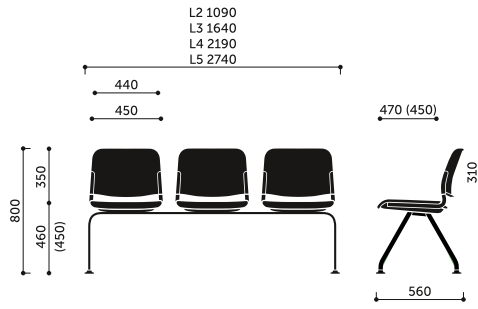
502V 2P / 502VN 2P / 505V 2P / 505VN 2P



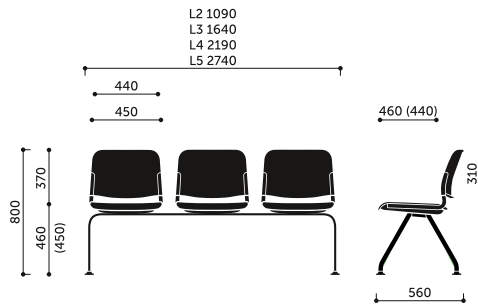
502V / 500V / 505V



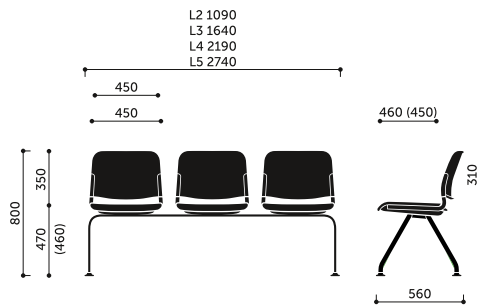
502V / 502VN / 505V / 505VN



502L / 505L



522L / 525L



500L