



MyTurn

10S

The ultimate level in elegance and style. Designer Paul Brooks has combined precision leather trim with aluminium elements. The conference version will prove useful in meeting rooms, while the swivel option will complement managerial offices.

Collection features:

- two heights (with low or high backrest) and two types of mechanisms
- the collection includes a swivel office armchair, a swivel conference armchair and a cantilever conference chair

Technical specifications:

product version

10S - swivel, high backrest, Synchro mechanism

mechanism

Synchro S - adjustment of seat height, synchronising mechanism with the possibility to adjust the resilience of the backrest to the weight of the sitting person. The synchro mechanism can be locked in one of four positions.

base

Five-star base (polished aluminium)

armrests

- PU - aluminium armrest, polyurethane armpad
- O - aluminium armrest, upholstered armpad:
 - models with leather upholstery - armpad upholstered with the same colour
 - models with fabric or Softline upholstery - black leather on the pad

glides

- standard: teflon glides (universal)
- option: felt glides (for hard floors)

seat

Metal frame; cold molded foam - density 80 kg/m³.

backrest

Metal inside frame equipped with wave springs; cold molded foam:

- high backrest - density 75 kg/m3

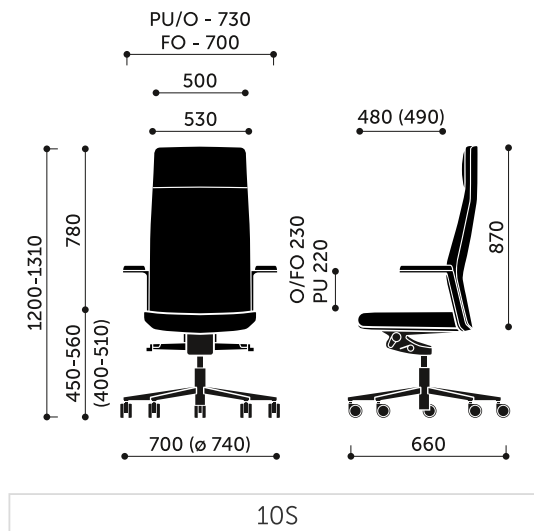
net weight

22,5 kg

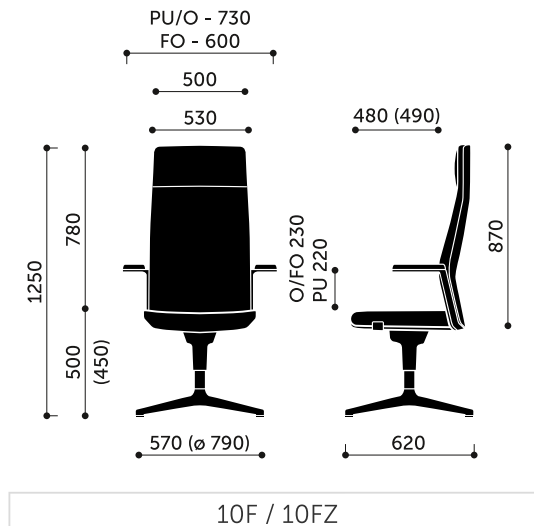
gross weight

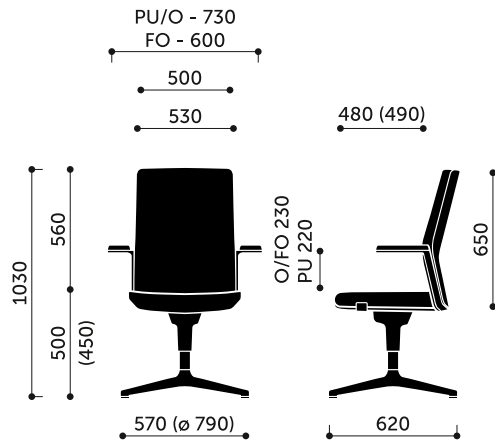
28,5 kg

Product dimensions:

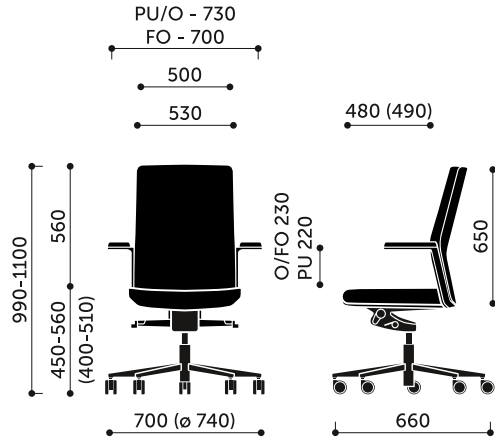


Dimensions of other models in the collection:

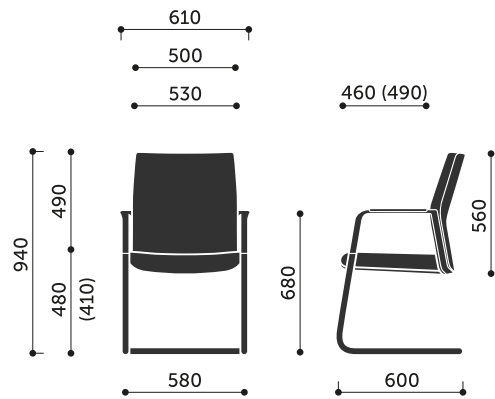




20F / 20FZ



20S



21VN